

4 Elevators

4.1 Call for Elevators with Automatic Sliding Doors

An INFRA-LINK receiver can be installed on each floor to which the elevator is to be called. The IR receiver, IR-1MI for instance, is placed above the elevator door. When the receiver is activated, the elevator is called and the automatic sliding doors are opened. If the elevator is already on that floor level, the doors are opened. (Figure 8). If the elevator has two buttons for up and down the IR-receiver IR-4MI is to be used.

Voltage is supplied to the IR receivers by a protective transformer (12V-24V AC/DC), which is common for all floor levels and preferably placed in the elevator machine room.

4.2 Call for Elevators with Side Hung Doors

If the elevator has a side hung door, a motor-driven door opener and an IR receiver with several channels, IR-4MI for instance, are required. In this case two relay functions are used, one to call for the elevator and the other one for the opening impulse to the door opener.

Here too, voltage is supplied from a common protective transformer (12V-24V AC/DC).

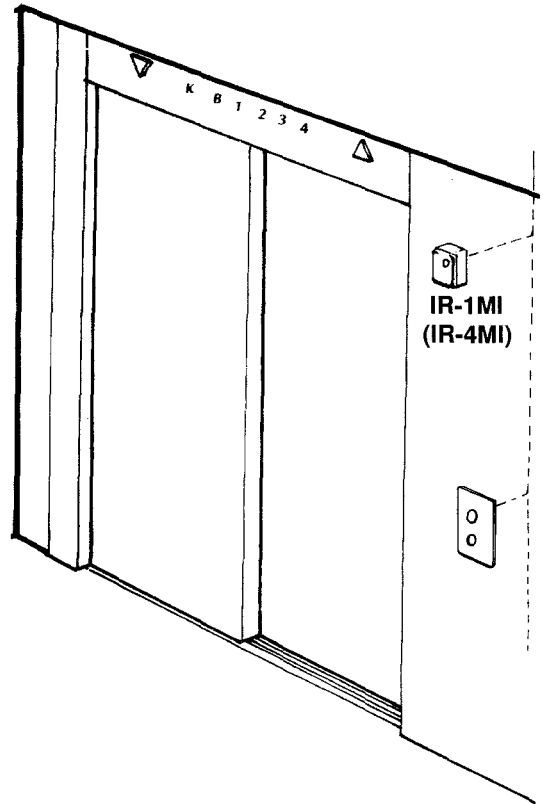


figure 8

4.3 Choice of Floor Level

In the INFRA-LINK system, a special IR receiver is used for connection to the control system of the elevator cage. This IR receiver, IR-8MH, is an 8-channel unit which is connected to a separate detector placed inside the elevator cage, preferably on the ceiling. The receiver unit is placed on the elevator cage roof for connection to the elevator's control system. IR-8MH has seven normally-open relay switches and one normally-closed relay switch. The operating voltage of the receiver is 24V AC and is, preferably, derived from the elevator cage lighting via a protective transformer (figure 9).

For control of the elevator, the normally-open relay functions are connected in parallel to the regular normally-open control switches of the elevator cage. The normally-closed relay is connected in series with the stop loop of the elevator cage. This means that via the INFRA-LINK system, the elevator can be directed to six optional floor levels. Channels 7 and 8 are used for distress signal and emergency stop. Elevators with a separate control function for opening of a side hung door require channel 6 for this function, which means that a maximum of five floor levels are available.

By using two elevator cage receivers, up to 13 floor levels can be reached by means of IR control.

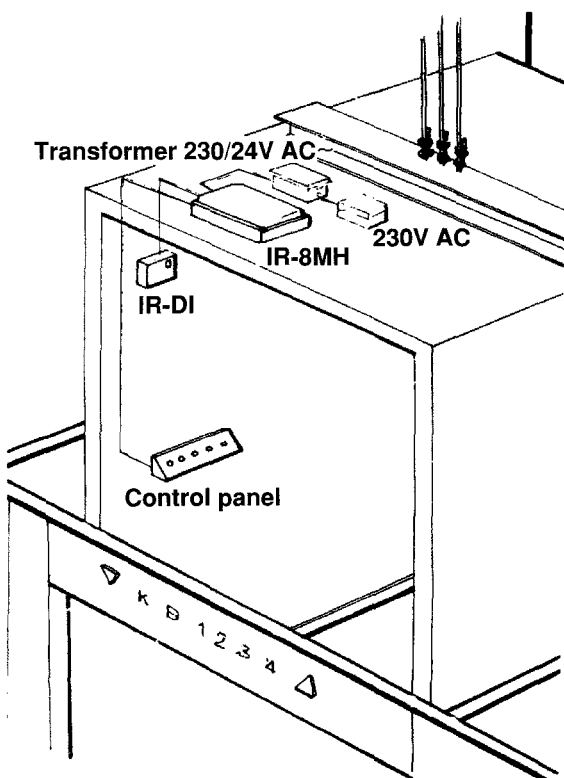


figure 9